

compact

TKM 500 COMPACT

EAC & CE
CERTIFICATE



SPARE PART
SUPPORT



%70 POWER
ECONOMY



24 MONTHS
GUARANTEE



RENEWABLE
MACHINE



HIGH
SAFETY



TKM 500 COMPACT

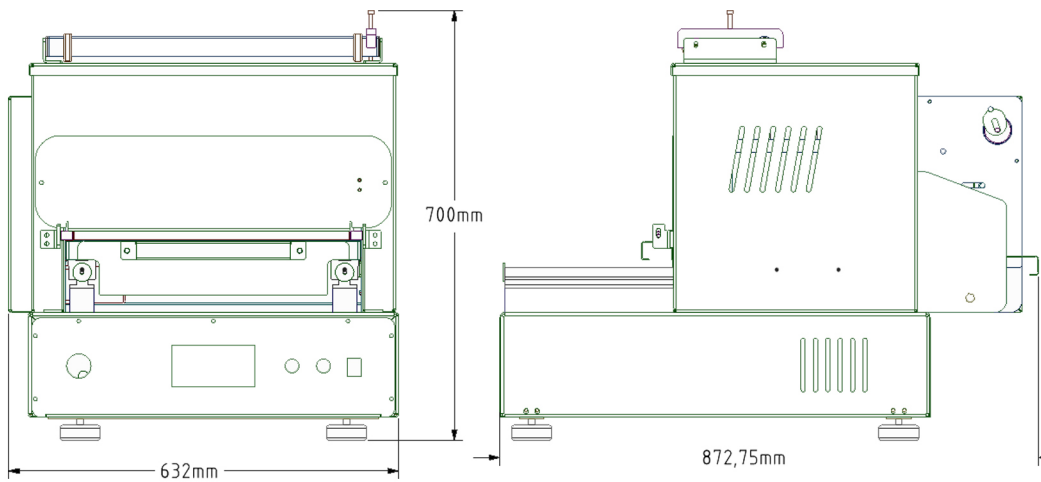
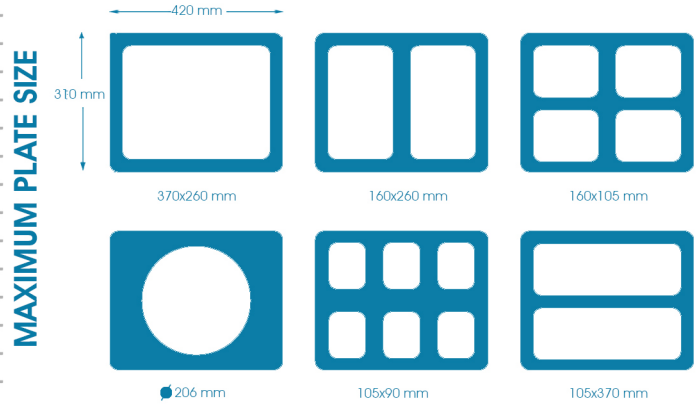
Can be used on desk or workbench. Mold system and film system operates automatically, completely cleans around the plate and does not need extra labor. As the mold system is replaceable, it provides unlimited choice of mold. It can be used in all areas that do not have vacuum and gas application (catering companies, bakery products, shocked meat balls, etc...). It is preferred in the low capacity businesses that use large-sized plates.

compact

TKM 500 COMPACT

Technical Specifications

INSTALLED POWER	220V 50HZ, 8A
ENERGY CONSUMPTION	1200 WATTS
AIR PRESSURE	6 BAR
AIR CONSUMPTION	1.8 LT CYCLE
CAPACITY/MIN	15-20 PROCESS
MACHINE DIMENSIONS	632X773X700 MM
PACKAGED DIMENSIONS	642X783X620MM
MAX. MOLD DIMENSIONS	310MMX420
WEIGHT NET/PACKAGED	80 KG/120 KG
MAX. DEPTH OF PLATE	120 MM
MAX. FILM WIDTH	450 MM
MIN. FILM THICKNESS	30 MIC
MAX. FILM WEIGHT	14 KG



TKM 500 COMPACT Advantages

With its compact structure, the ideal model to use on desk or workbench	1 operation per 2-3 seconds and very easy to use	Bottom and upper mold can be replaced	Film system operates automatically
Printed film can be used by placing photocell (optional)	English - Turkish language options	Complete stainless steel body of quality 304	All aluminum parts are eloxal coated
Mold system is completely coated with teflon	Completely cuts the film around the plate and does not need extra labor	Easy to install film and easy to clean	With auto-running mold operating with pneumatic system, it does not require arm strength
Energy saving with automatic digital temperature control system (PID)	Easy to service with the modular electrical system	2 year warranty	CE&EAC certificate