

# smart

VTK 400 SMART

EAC & CE  
CERTIFICATE



SPARE PART  
SUPPORT



%70 POWER  
ECONOMY



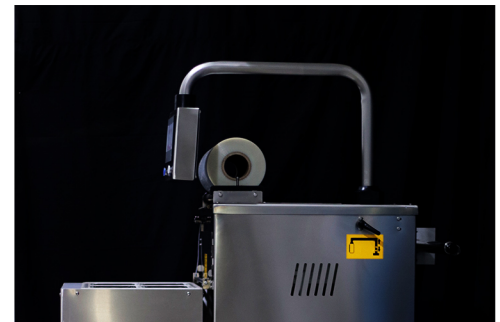
24 MONTHS  
GUARANTEE



RENEWABLE  
MACHINE



HIGH  
SAFETY



## VTK 400 SMART

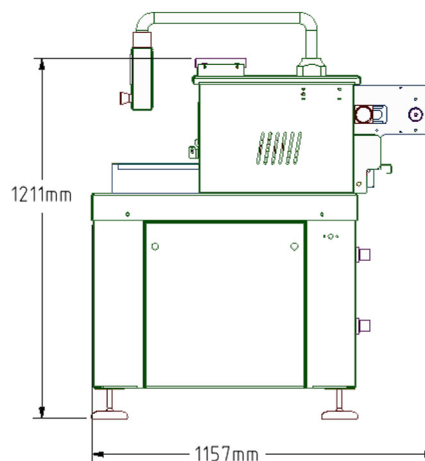
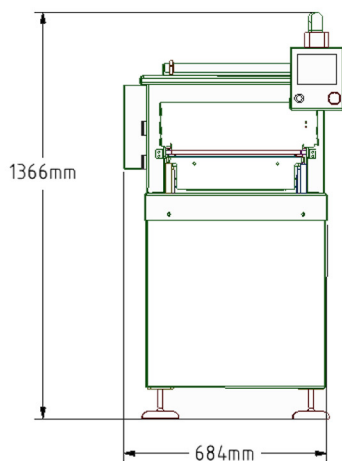
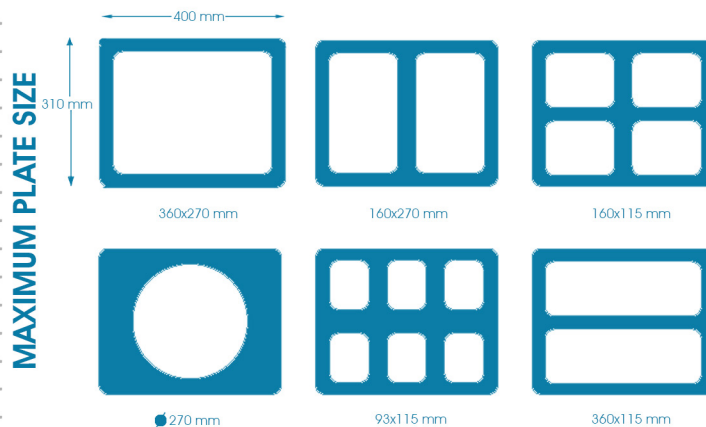
The mold and aluminum parts are eloxal coated. Values can be monitored numerically and graphically with the touch operator panel and any action can be done easily. The pneumatic system, gas pressure and vacuum values are controlled by sensors on the machine and operator is directed by warning message on display. The machine has printed film, non-printed film options and photocell system. It provides unlimited mold choice and high performance with the easy to replace mold system. Safety is provided by CE&EAC standards. It automatically switches to stop while installing the film or replacing the mold, by the help of security sensors.

# smart

## VTK 400 SMART

### Technical Specifications

INSTALLED POWER	400V 50HZ, 16A
VACUUM PUMP	40 M3
ENERGY CONSUMPTION	2 KW
AIR PRESSURE	MAX. 6 BAR
AIR CONSUMPTION	3.6 LT CYCLE
CAPACITY/MIN	3-5 ACTION
MAX. MOLD DIMENSIONS	400X310 MM STANDART
WEIGHT NET/PACKAGED	180/200 KG
MAX. PLATE DEPTH	120 MM
MAX. FILM WIDTH	420 MM
MIN. FILM THICKNESS	40 MIC LID
MAXIMUM FILM WEIGHT	12 - 14 KG
MACHINE DIMENSIONS	684X1366X1157 MM
PACKAGED DIMENSIONS	890X1160X1190 MM



### VTK 400 SMART Advantages

Vacuumed and gaseous tray sealing feature	Soft vacuuming opportunity with soft air option	5 inch Touch screen operator panell and adjustable panell box	Aluminum parts are of imported 5083-aluminum (eloxal coated)
Mold system is of imported 7075-aluminum (eloxal coated)	Values are monitored numerically and graphically	Vacuum pump (standard 40 m3)	Error-free mobility with drawers having linear sliding system
Precise measurement with digital vacuum sensor	Possibility of only welding and cutting by one-touch	Stainless steel body of quality 304	Automatic and manual drower options
8 different language options	Time saving with pneumatic and quick mold system	Completely cuts the film around the plate and does not need extra labor	Energy saving with automatic temperature control system (PID)